
GPT245 Intelligent Wireless Pressure Transmitter

Features

- GPRS network available in many application areas with mobile signal;
- LCD real-time display with backlight;
- Ultra-low power consumption and sleeping mode lower to 15uA@12V DC;
- Networking automatic time checking and offline automatic connection;
- Remote setting for collection and transmission interval;
- Alarming function for upper and lower limit of threshold value and remote setting for threshold value; ;
- PC and mobile terminal data application;
- Support customer self-built system and configuration application;
- Alarming with power off and real-time notification for battery voltage;
- IP67 protection, moisture-proof, field environment available.



Introduction

GPT245 is an intelligent instrument with low power consumption and wireless communication function. With a core of advanced industrial MCU and a high quality pressure sensor, it integrates the mature GPRS network to realize the wireless transmission between field sensor data and server. GPT245 reports the data actively based on the set interval and the customer could realize the remote instrument configuration and data checking through WEB pages. All the uploaded and transmitted data will be stored into database automatically for the convenience of further checking. Users could log in related URL by networked PC or Mobile Terminal to get data and meanwhile to do statistics and analysis for the data, then forming a report and data graph, which is featured as visual, accurate and high-efficient.

Based on widely covered GPRS network, the product could detect real-time data of many monitoring sites within a large areas like detection for wellhead of coal plants, pipe network pressure of tap-water, water level of head-tank and environmental parameters of large scale and hydro logical detection, etc. It is mainly used in fields like petroleum, coal, tap-water and automatic control etc.

Specifications

Input Characters

Pressure range: 0kPa~20kPa...70MPa

Accuracy:±0.5%FS

Power supply: 8V~28V DC

Pressure type: sealed gauge/gauge/absolute

Output Characters

Output signal: LCD field display, GPRS wireless signal transmission Stability: ±0.5%FS/Year

Environment Conditions

Operation temp.: -20°C~70°C

Relative humidity: 0%~95%

Vibration: ≤3g/10Hz...150Hz (IEC 60068-2-6-2007)

Storage temp.: -30°C~80°C

Protection: IP67

EMC: GB/T 17626.2/4-2006

Other Information

Display: 6 digits 8 segments LCD

Sensing diaphragm: Stainless steel 316L

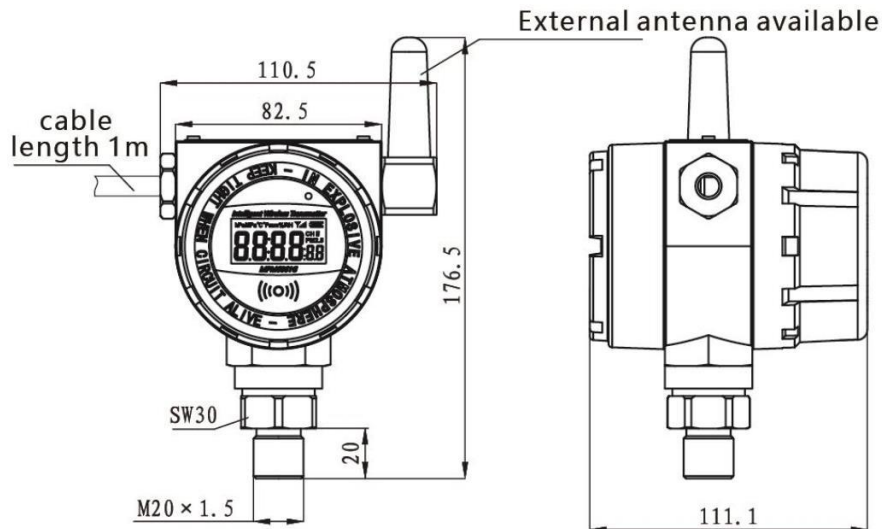
Weight: about 1.02kg

Button: magnet trigger display

Electric connection: 2 core cable(power)

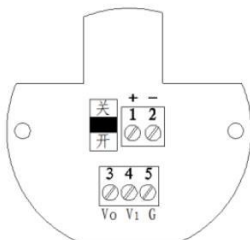
Outline Construction

Unit: mm



Electric Connection

The instrument is connected with other devices by 2 core cable and definition is shown below:



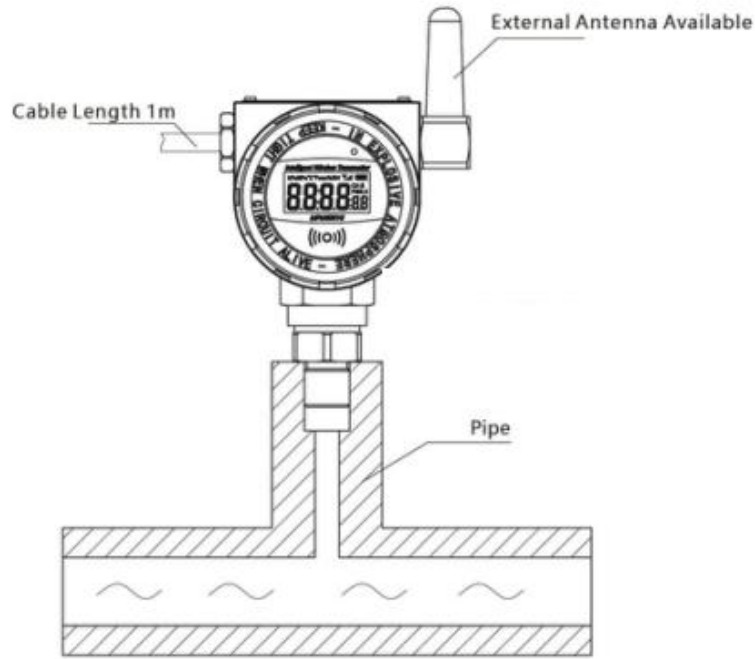
Terminals diagram

Wire	Remark	Definition
1	+	+IN
2	-	-IN

Note: Only connect 1 and 2 when measuring the pressure with integrated one

Application Sample

Application sample(integrated one) is shown below:



Order Guide

GPT245	Intelligent Wireless Pressure Transmitter	
G		
	Range	Measured range 0kPa~20kPa...70MPa
	[0~X]kPa/MP a	X: actual measured range
	Code	Pressure Type
	G	Gauge
	S	Sealed gauge
	A	Absolute
	Code	Power Type
	B	External battery supply(need to buy battery set)
	D	Current power supply system
	Code	Antenna Type
	A	Internal antenna(only available for the site with a good GPRS signal)
	B	External antenna(Sucker antenna) with 2m
	C	External antenna(Sucker antenna) with 5m
	Code	Process Connection
	C ₅	M20×1.5 male with waterline seal
	C ₃	G1/2 male with waterline seal

GPT245	[0~70]MPa	S	B	A	C ₅	M	C ₁	the whole spec.
--------	-----------	---	---	---	----------------	---	----------------	-----------------

Code	Software Service Type	
M	Big data platform	
C	Customer self-built application	
	Code	Others
	C ₁	With SIM
	C ₂	Without SIM

Order Notes

1. Please pay attention that the media shall be compatible with the contacted parts;
2. The default cable length is 1m;
3. When the product is used in thunder storm area, we suggest user to use protection device to protect the product and make sure well grounding;
4. For special requirement, please feel free to contact us and remark it in the order.